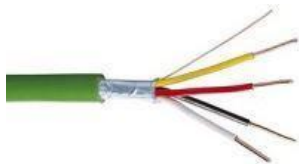


This installation manual guides you through the process of installing the Velbus VMBEL-series and VMBGP-series glass control panels.

1. Preparing the bus cables

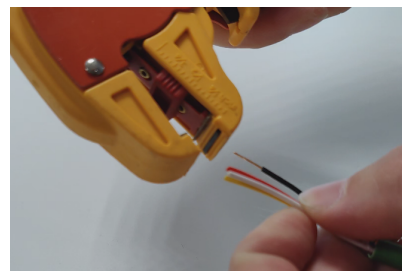


*Velbus recommends a solid core EIB/KNX grade cable with 4x 0,8 mm diameter. **Do not** use stranded wire cables or ethernet cables!*

Make sure all 4 wires of the bus cable are stripped 8 mm long by using a wire stripping tool .

The Velbus bus cable colors are used in the following order:

Color	Connection	Indicator
Red	Power 15V (± 3V)	+
Black	Power GND	-
Yellow	CANbus High	H
White	CANbus Low	L



2. Installing the wallbox



*Velbus recommends a wallbox with a depth of 50mm.
For example the BATIBOX LEGRAND Ref. 080051 EAN-nr.
3245060800512.*


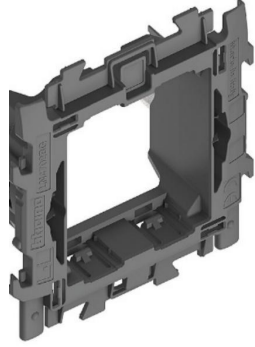

Mount the wallbox into the wall and bring the EIB cable(s) to the front.



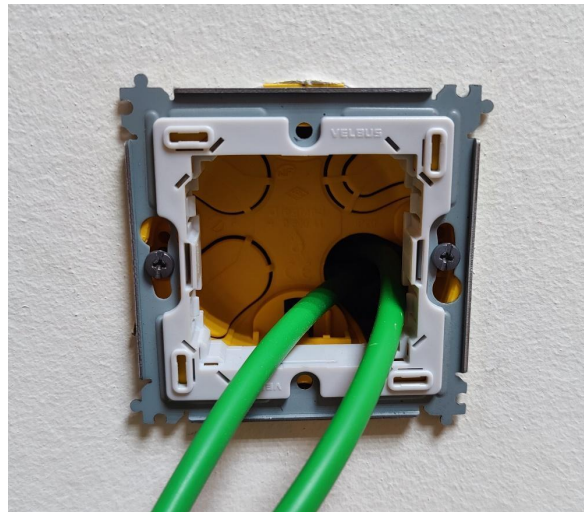
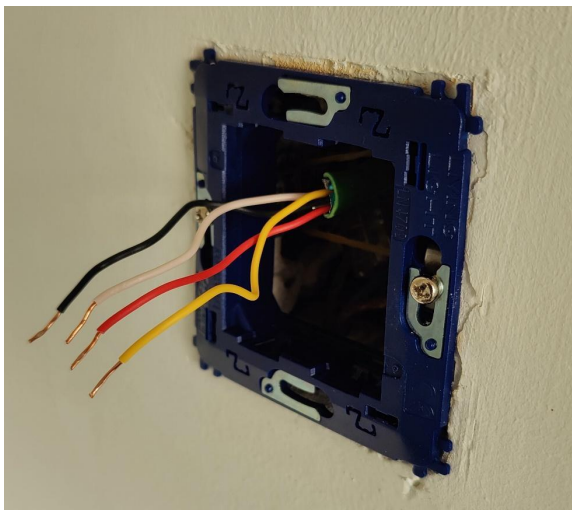
3. Mounting the Velbus frame

Each EdgeLit and GlassPanel product (VMBEL & VMBGP series) is sold with a LN4702 holder for screw mounting included.

If you prefer another mounting technique, you can order the following spare sets:

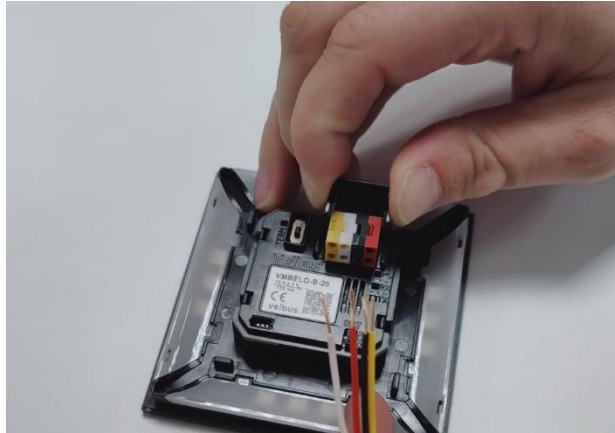
VMBELF	VMBGPFS	VMBELGPMOUNT
Set of 5 Velbus holders with clamp and screw mounting	Set of 5 LN4702BG holders with clamp mounting	Set of 5 LN4702 holders with screw mounting
		

Place the frame in the wallbox and make sure the frame is level.

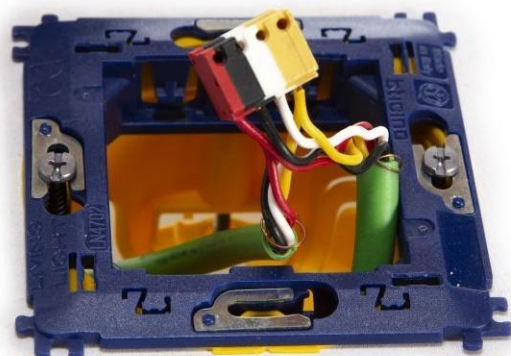
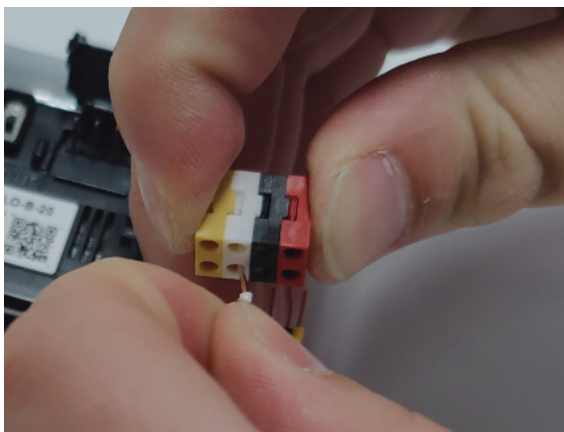


4. Connect the EIB cables with the KNX style connector

Carefully press both sides of the KNX connector protection cap on the Velbus control panel and turn it towards the top. Then lift the KNX connector block upwards to remove it.

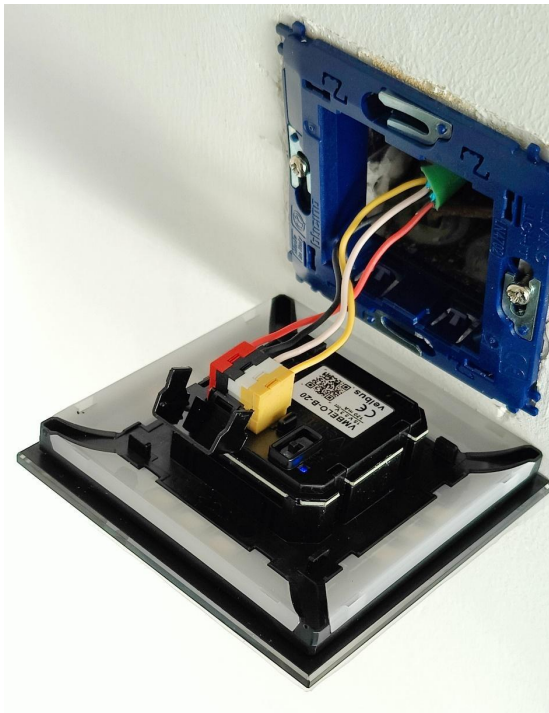


Push all four cables of the EIB/KNX bus cable into the KNX connector, matching the colors. If you have an arriving and departing cable within the back box, connect both.

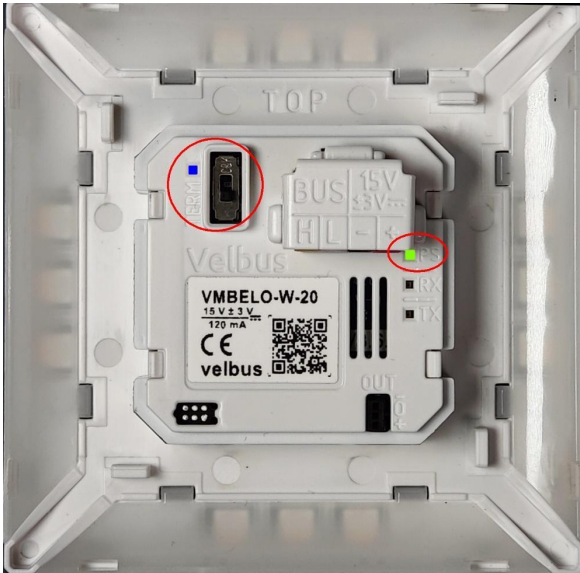
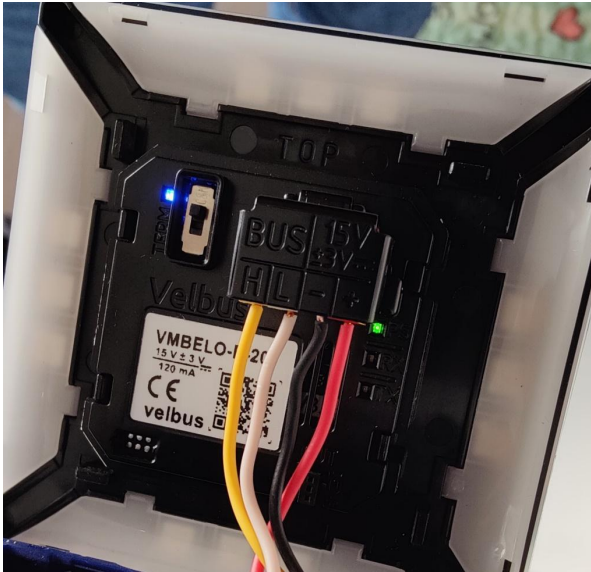


5. Mount and setup the Velbus control panel

Connect the Velbus control panel with the KNX connector and close the KNX connector protection cab to fully secure the KNX connector onto the Velbus control panel.

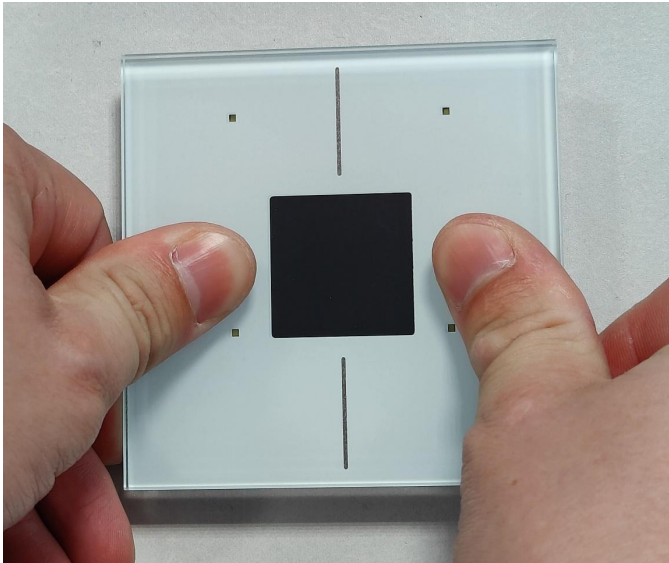


When your Velbus installation is powered, you should see a green LED next to the **PS** label. The blue LED next to the **TERM** label indicates that the terminator is closed (switch set into the upper position). This should be the case if your Velbus control module is at the end of a EIB cable. If the Velbus control module is in series with another device, the terminator should be opened (switch set into the lower position – blue LED will not be activated).

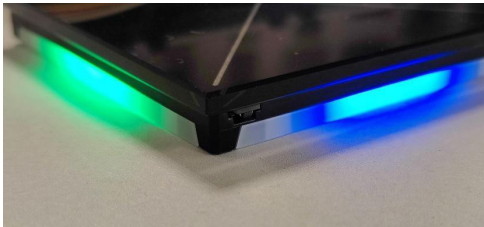


Tapping the button surfaces on the front of the panel will light up the TX LED (sending CAN bus data). Using another device in your Velbus installation should light up the RX LED (receiving CAN bus data). Use these LEDs to troubleshoot if your Velbus control panel is properly connected into the Velbus network.

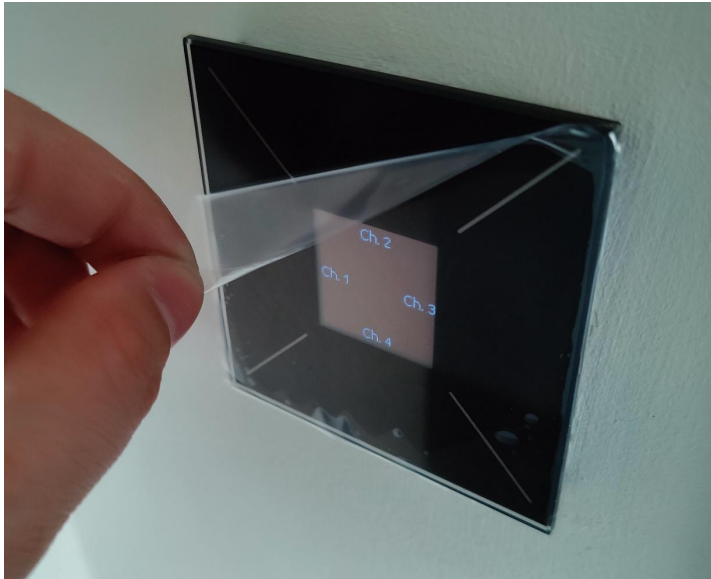
Now firmly push the Velbus control panel into the frame., starting from one corner. for ease of alignment and to focus your pressure onto each of the four small locating pins.



The Velbus control panel should be fully seated against the wall.



Lastly, gently remove the protective film from the Velbus control panel.



The Velbus control panel is now installed and is ready to be configured with the Velbus configuration software Velbuslink. Go to <https://www.velbus.eu/downloads> to download the latest version of Velbuslink.

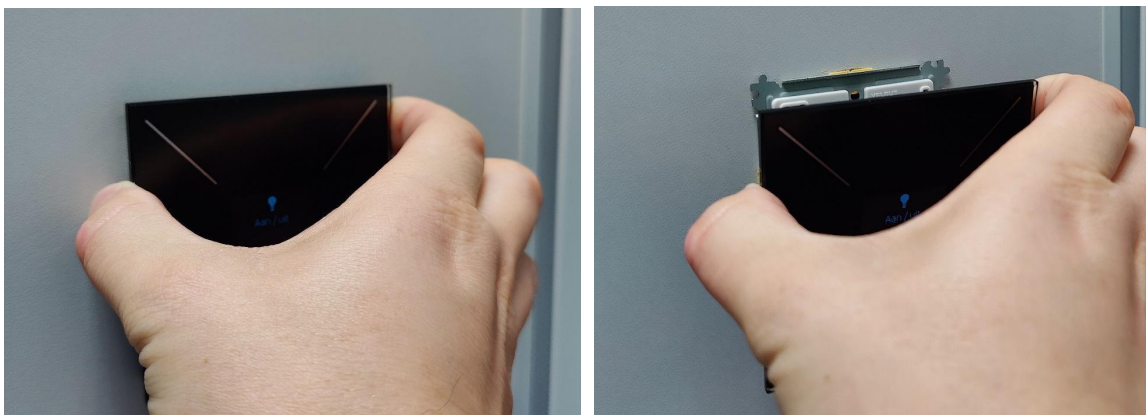
Only Velbuslink 11.x.x or later is compatible with the VMBELxx-x-20 and VMBGPxx-x-20 series.

6. Removing the Velbus control panel

To remove the Velbus control panel, hold both sides of the panel with your hand and firmly pull the panel towards you.

You may find that starting at one corner is easier, but do not pull excessively

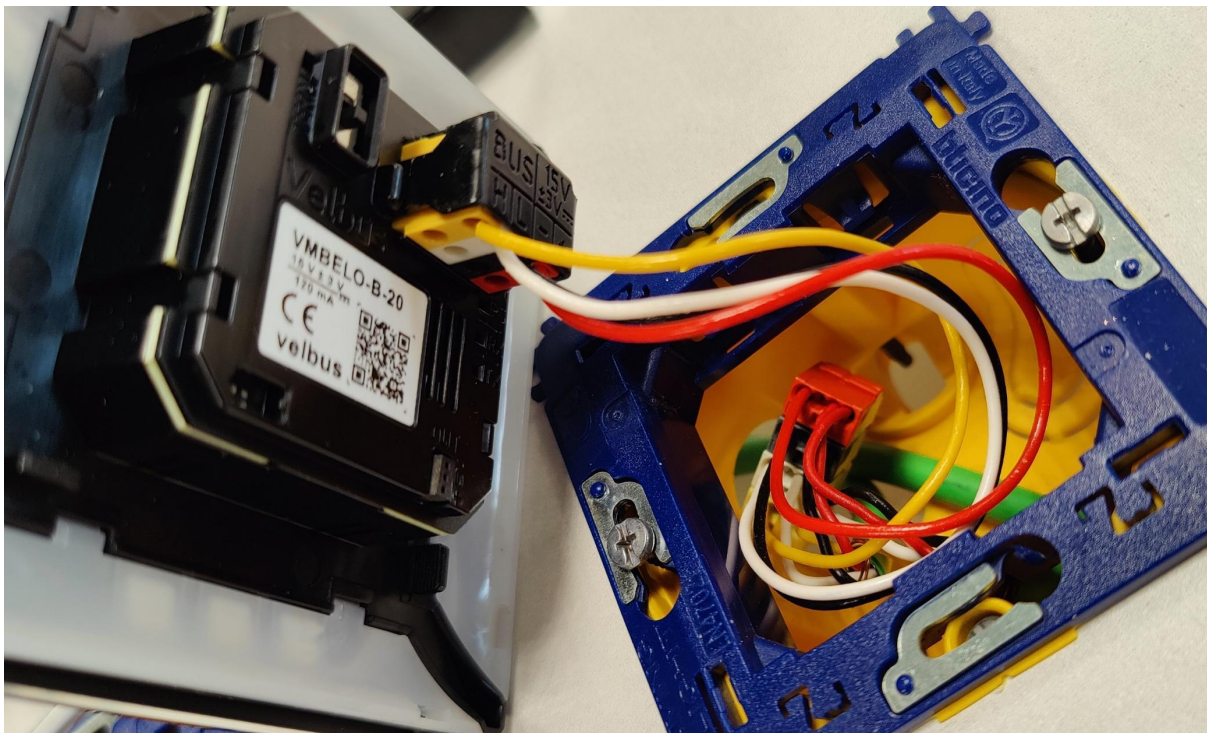
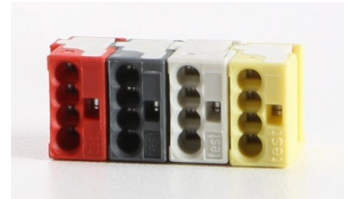
Do not use tools to pry as they might damage the onboard temperature sensor!



7. Alternative connection technique for the EIB cables.

Since the recommended bus cable is a solid core grade cable with 4x 0,8 mm diameter, it might be rather sturdy and difficult to mount the Velbus control panel, especially when using an arriving and departing cable.

To this end, we have included a WAGO push connector for the four bus cable cores. This connector can be placed inside the wallbox, allowing you to bring only four wires towards the Velbus control panel instead of eight.



NB.

Never use excessive force, for example mounting plates, locating lugs or any cable connections. Use a release tool on the spring clip connectors if you need to relocate or otherwise move a cable core.

Excessive force will break a part that can then no longer be returned under warranty,